



Reg. No. :

Name :

**Fourth Semester B.Tech. Degree Examination, May 2014
(2008 Scheme)**

Branch : MECHANICAL ENGINEERING

08.406 : Machine Drawing (M)

Time : 4 Hours

Max. Marks : 100

PART – A

Answer **any two** questions.

1. Explain :

- System of fit
- Geometric tolerance
- Surface texture
- Roughness value.



2. What do you understand by interchangeability ? Differentiate between basic size, tolerance and deviations.

3. What are the different types of geometrical tolerances included in production drawing.

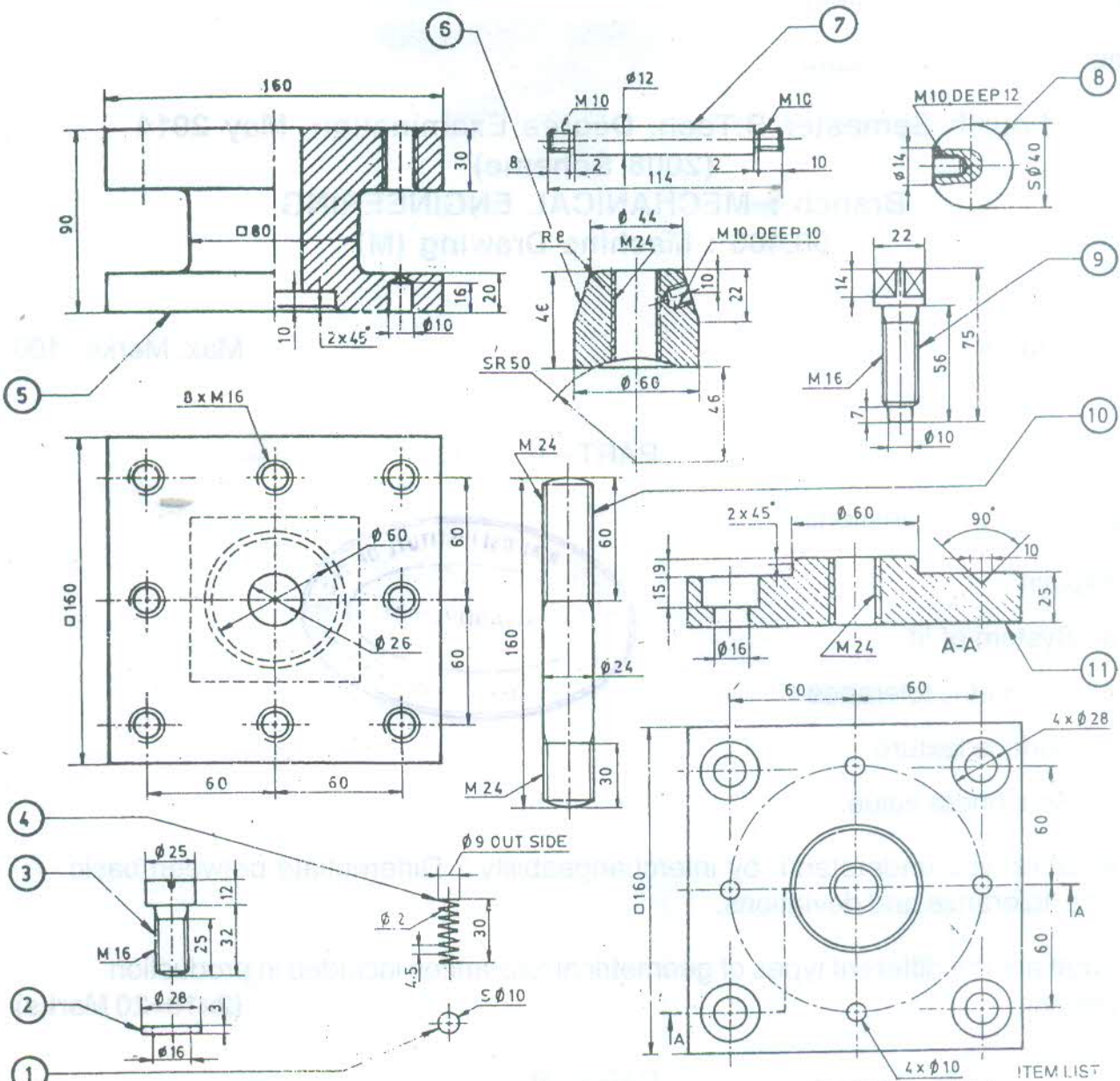
(2×10=20 Marks)

PART – B

4. Assemble the parts of a Lathe tool post and draw the following views :

- Sectional front view
- Top view.

(60+20)



ITEM LIST

Item	Description	Qty.	Material
1	Ball	1	Steel
2	Washer	4	M.S
3	Grub screw	4	M.S
4	Spring	1	Steel
5	Tool holder	1	Steel
6	Clamping nut	1	Steel
7	Handle	1	M.S
8	Knob	1	Brass
9	Screw (Square headed)	8	M.S
10	Stud	1	M.S
11	Base plate	1	Steel